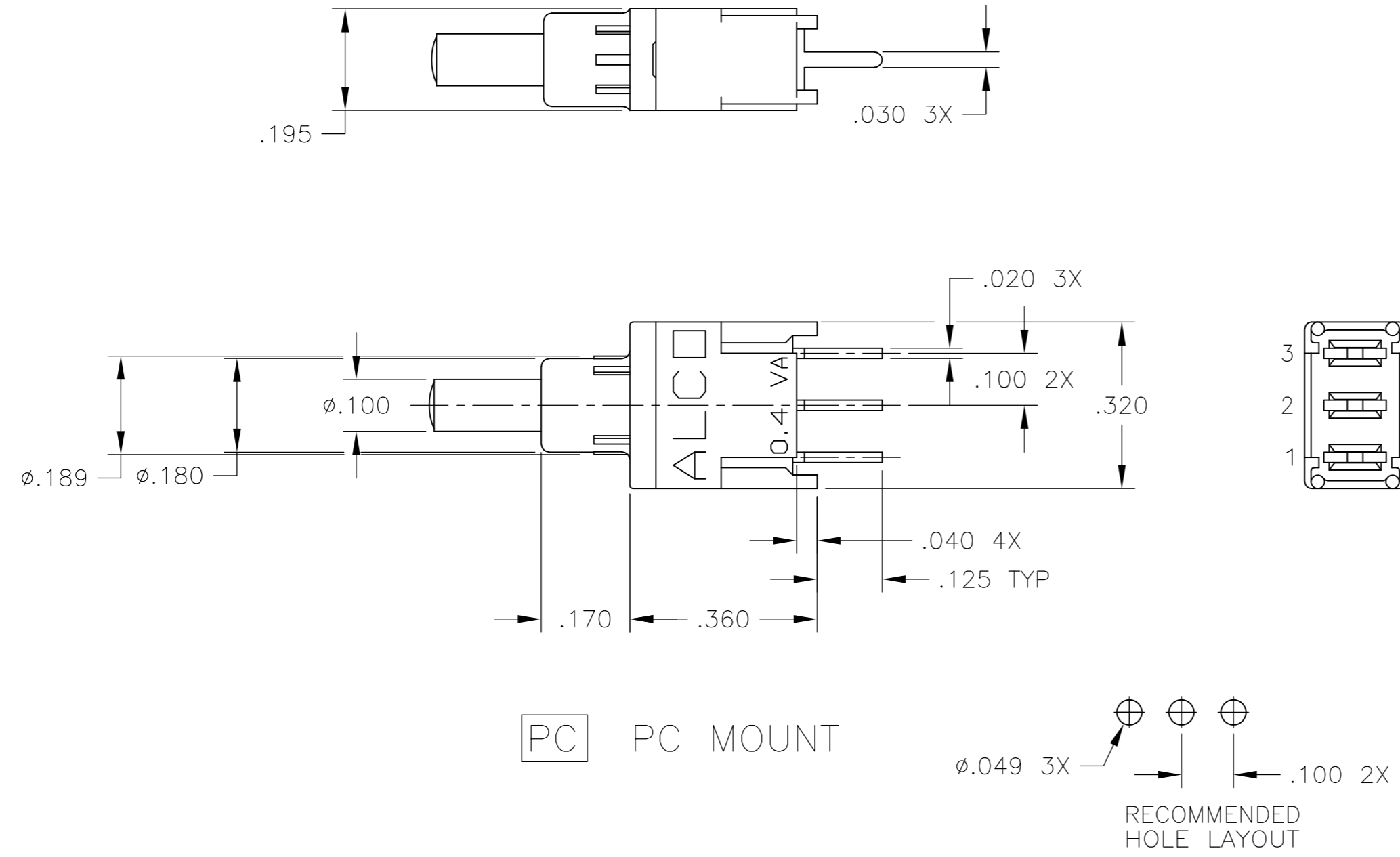


THIS DRAWING IS UNPUBLISHED. RELEASED FOR PUBLICATION
 © COPYRIGHT - By - ALL RIGHTS RESERVED.

LOC		DIST		REVISIONS			
P	LTR	DESCRIPTION	DATE	DWN	APVD		
	A2	REVISED PER ECO-15-004048	16MAR2015	NK	RH		



SPECIFICATIONS:

MATERIALS:

CASE & BUSHING: LCP
 BUTTON: POLYAMIDE
 SPRING: MUSIC WIRE, ZN PLATED
 MOVABLE CONTACT: BRASS OR COPPER ALLOY, AU OVER NI PLATED.
 BRACKET: STEEL, TIN OVER COPPER PLATED
 TERMINALS: BRASS, TIN OVER NICKEL IN SOLDER AREA AND GOLD OVER NI IN CONTACT AREA.
 O-RING: NITRILE

ELECTRICAL:

CONTACT RATING: 0.4VA @ 20 VAC/DC
 INITIAL CONTACT RESISTANCE: 20 MILLIOHMS MAX.
 INSULATION RESISTANCE: 1000 MEGOHMS @ 500V DC MIN.
 DIELECTRIC STRENGTH: **C** 1000 VOLTS RMS AT SEA LEVEL.
F 500 VOLTS RMS AT SEA LEVEL.

LIFE EXPECTANCY: **C** 80,000 CYCLES
F 60,000 CYCLES.

MECHANICAL:

ACTUATION TRAVEL: .035.



ENVIRONMENTAL:

OPERATING TEMPERATURE: -22°F TO +185°F
 (-30°C TO +85°C)
 STORAGE TEMPERATURE: -67°F TO +185°F
 (-55°C TO +85°C)

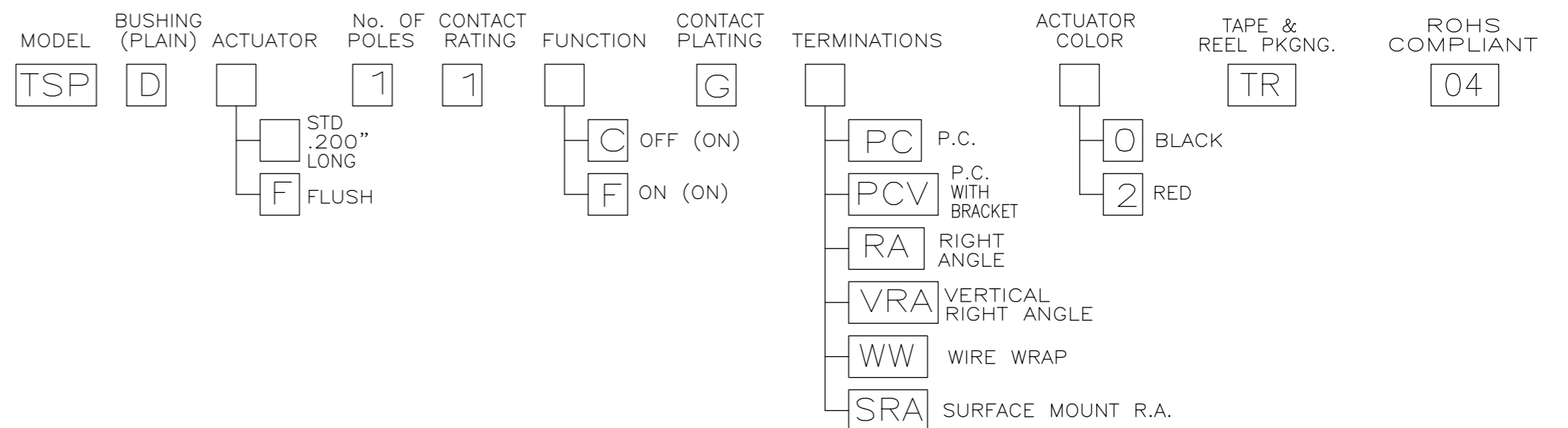
NOTES:


- ALL MATERIALS AND FINISHES COMPLY WITH EU DIRECTIVE 2002/95/EC OF 27JAN2003 (ROHS).
- F FUNCTION NOT AVAILABLE WITH SRA TERMINATION.

FIGURE 1

FUNCTION CHART		 1 2 3		 1 2 3	
THE FOLLOWING FUNCTIONS AVAILABLE IN SINGLE POLE.					
C	2 POSITIONS	OFF	(ON)		
TERMINALS CONNECTED:			1-3		
OMIT CENTER TERMINAL FOR FUNCTION C					
F	2 POSITIONS	ON	(ON)		
TERMINALS CONNECTED:			1-2 2-3		
		OFF INDICATES A MECHANICAL POSITION WITH NO ELECTRICAL CONNECTION.			
		(ON) INDICATES MOMENTARY ACTION			

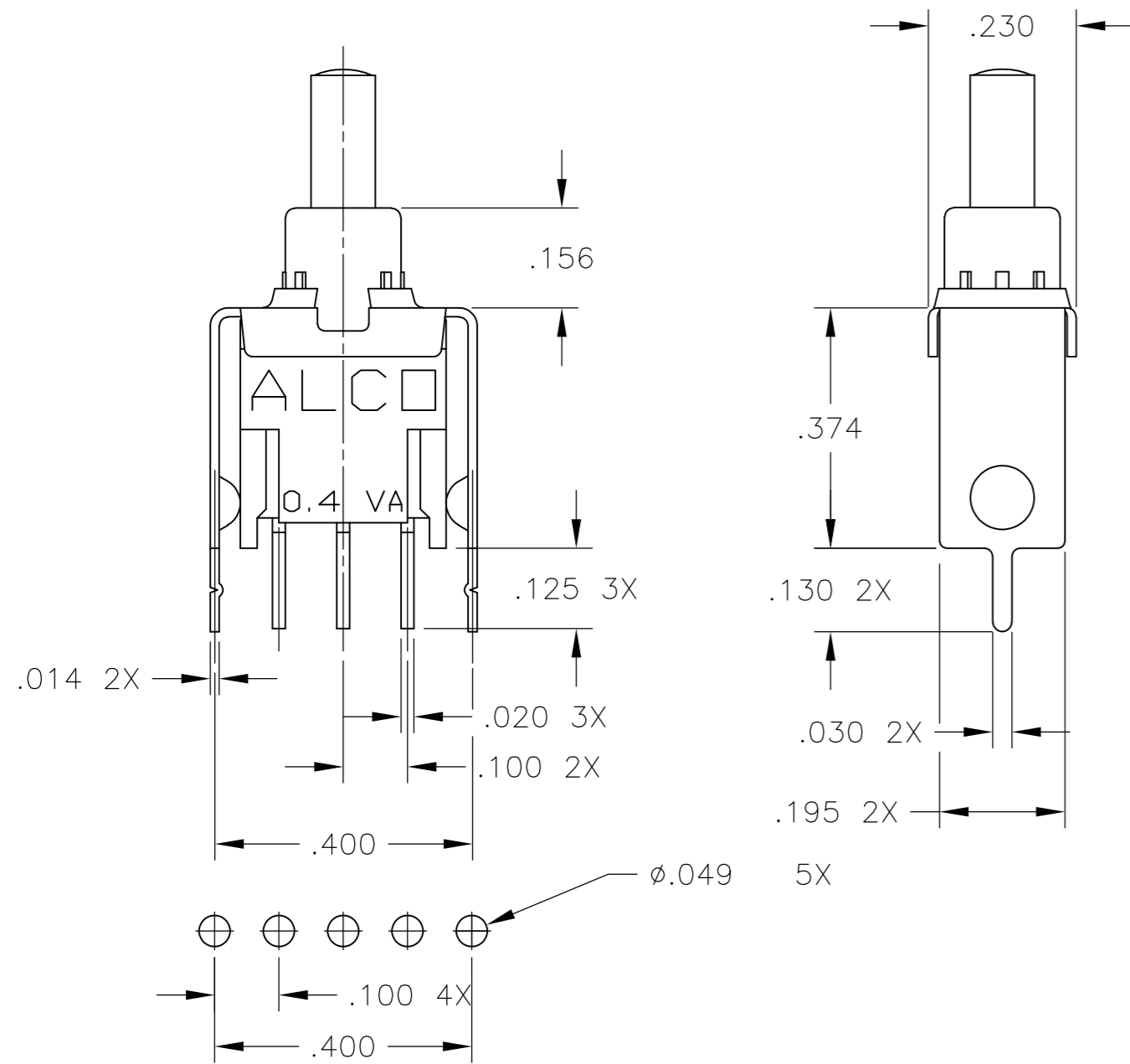
PART NUMBERING SEQUENCE



THIS DRAWING IS A CONTROLLED DOCUMENT.		DWN	M.BINNER	01MAR05	 TE Connectivity
DIMENSIONS: INCHES		CHK	M.ZITTO	01MAR05	
TOLERANCES UNLESS OTHERWISE SPECIFIED:		APVD	M.ZITTO	01MAR05	
0 PLC ± - 1 PLC ± - 2 PLC ± - 3 PLC ± .010 4 PLC ± - ANGLES ± 1°		NAME		SEALED PUSHBUTTON SWITCH SINGLE POLE, TSP SERIES, ROHS COMPLIANT	
MATERIAL		WEIGHT		SIZE	
FINISH		-		A2	
		CUSTOMER DRAWING		SCALE 4:1	
				SHEET 1 of 4	
				REV A2	

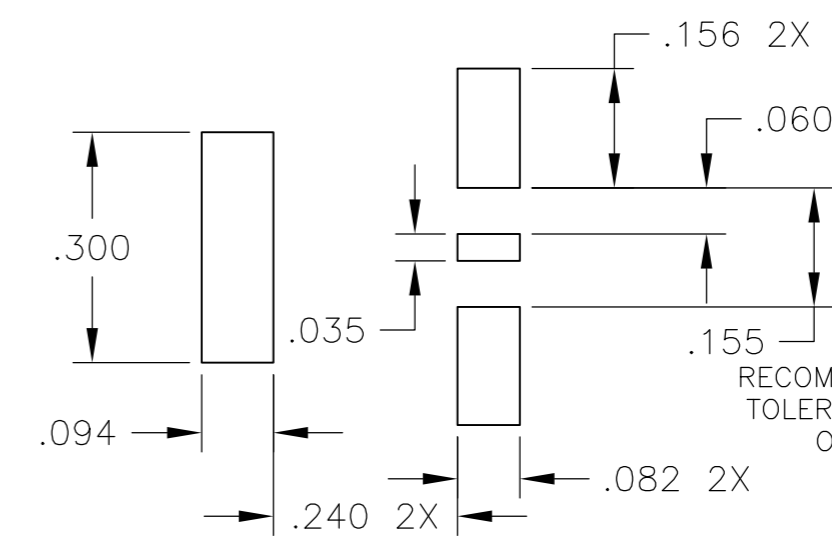
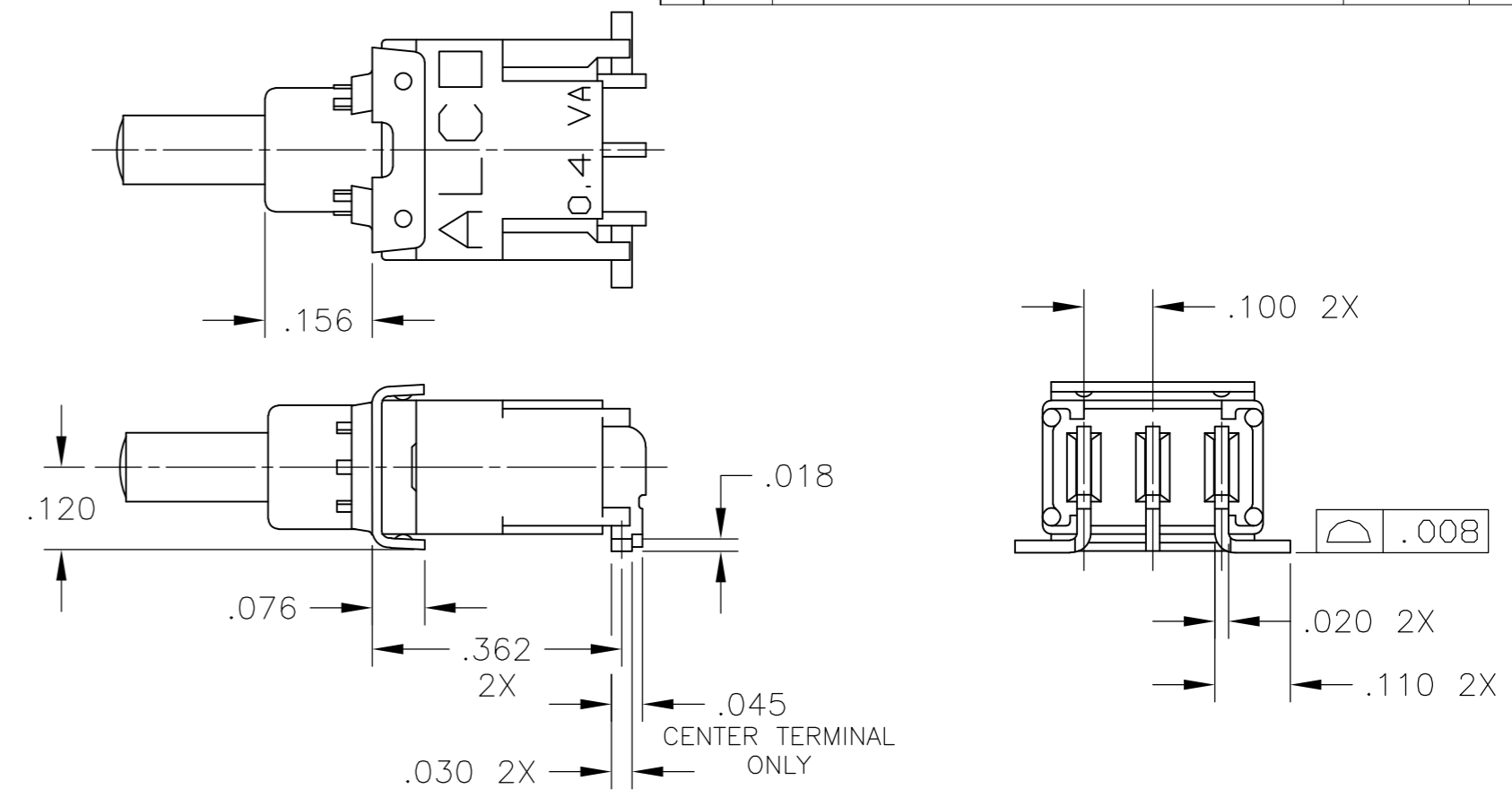
THIS DRAWING IS UNPUBLISHED. RELEASED FOR PUBLICATION
 © COPYRIGHT - By - ALL RIGHTS RESERVED.

LOC		DIST		REVISIONS			
P	LTR	DESCRIPTION	DATE	DWN	APVD		
AD	00	SEE SHEET 1	-	-	-		



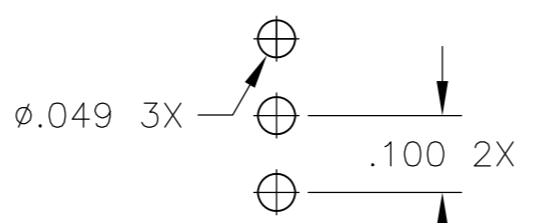
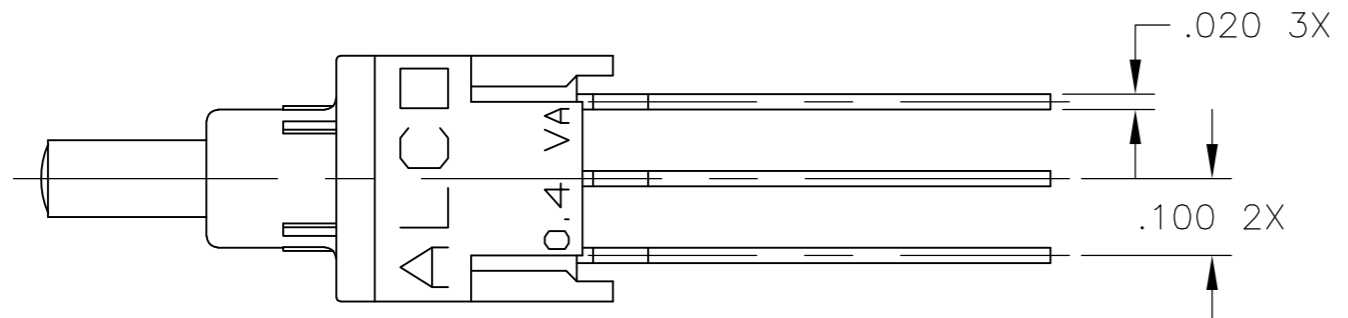
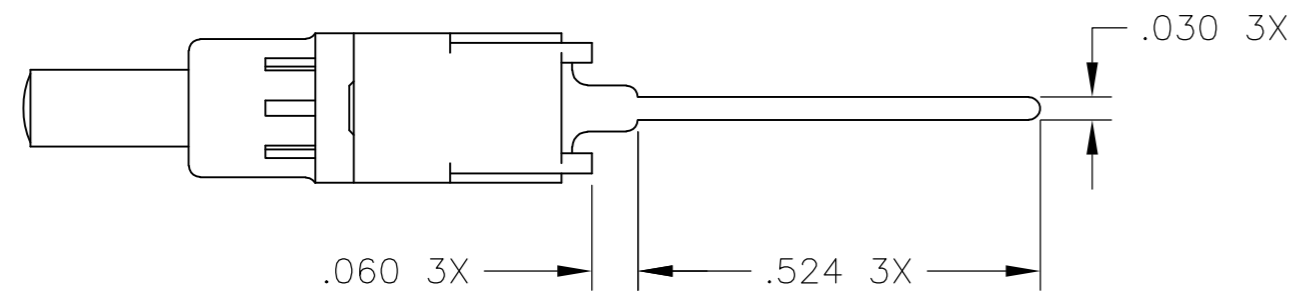
RECOMMENDED HOLE LAYOUT
 TOLERANCES ±.002 UNLESS
 OTHERWISE NOTED.

PCV PC WITH VERTICAL
 SUPPORT BRACKET



RECOMMENDED HOLE LAYOUT
 TOLERANCES ±.002 UNLESS
 OTHERWISE NOTED.

SRA SURFACE MOUNT RIGHT ANGLE,
 "L" BEND



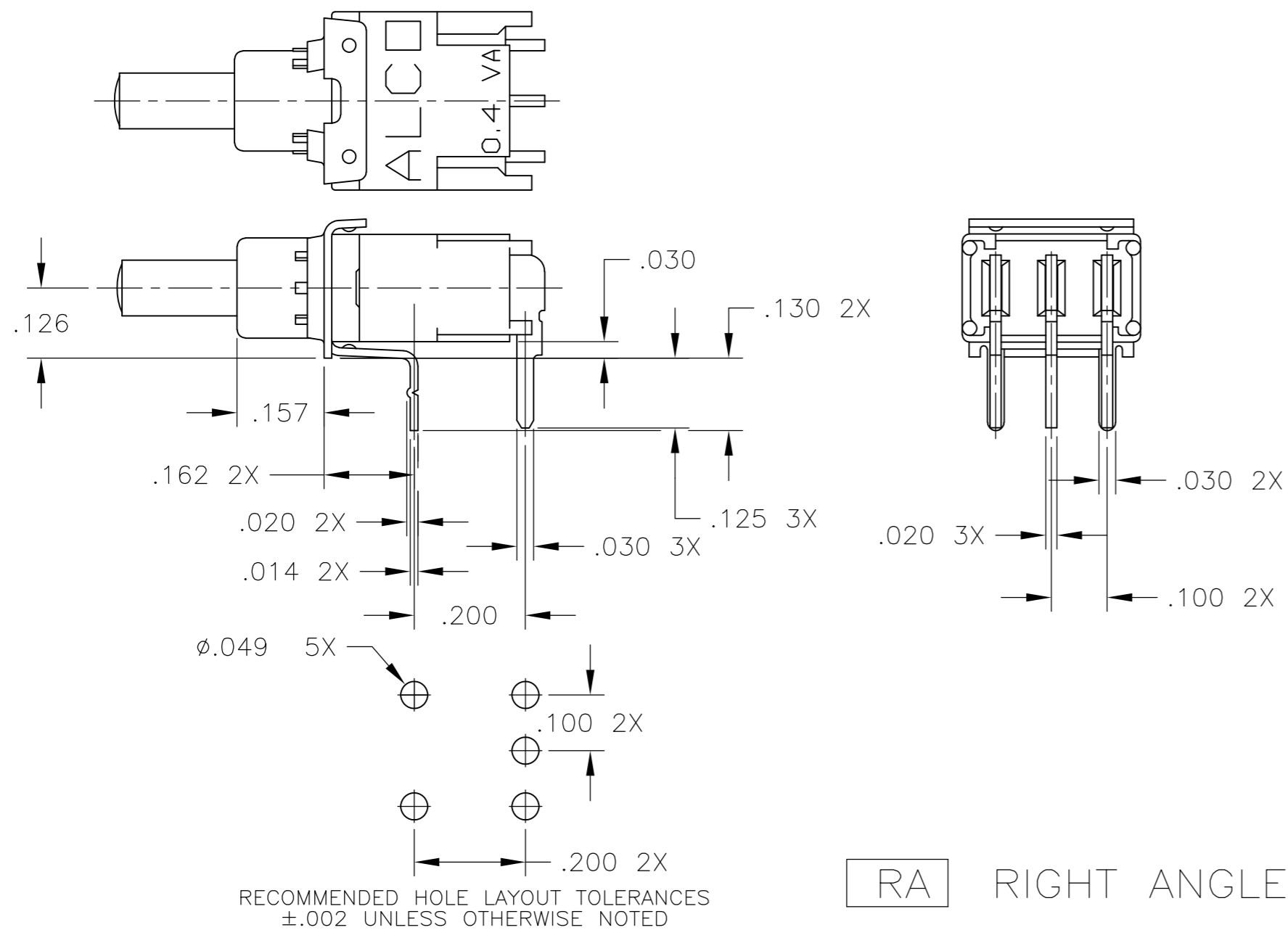
RECOMMENDED HOLE LAYOUT
 TOLERANCES ±.002 UNLESS
 OTHERWISE NOTED.

WW WIRE WRAP

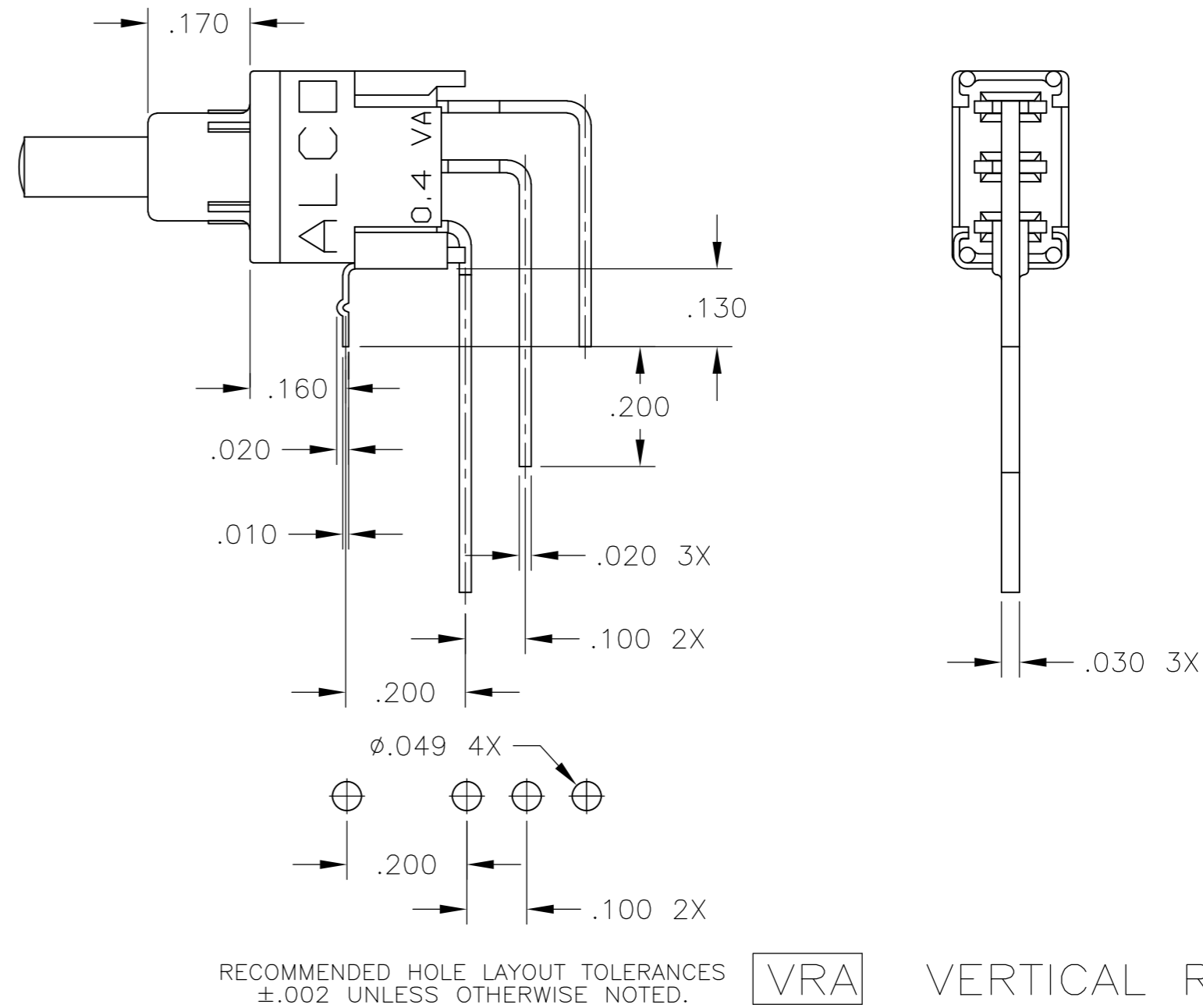
THIS DRAWING IS A CONTROLLED DOCUMENT.		DWN	M.BINNER	01MAR05		TE Connectivity			
DIMENSIONS:		CHK	M.ZITTO	01MAR05		NAME			
INCHES		APVD	M.ZITTO	01MAR05		SEALED PUSHBUTTON SWITCH			
		PRODUCT SPEC	M.ZITTO			SINGLE POLE, TSP SERIES, ROHS COMPLIANT			
TOLERANCES UNLESS OTHERWISE SPECIFIED:		APPLICATION SPEC	-			SIZE	CAGE CODE	DRAWING NO	RESTRICTED TO
0 PLC	± -	WEIGHT	-			A2	00779	C=1571990	-
1 PLC	± -	CUSTOMER DRAWING	-			SCALE	4:1	SHEET	2 of 4
2 PLC	± -		-			REV	A2		
3 PLC	± .010		-						
4 PLC	± -		-						
ANGLES	± 1°		-						
FINISH	-		-						

THIS DRAWING IS UNPUBLISHED. RELEASED FOR PUBLICATION
 © COPYRIGHT - By - ALL RIGHTS RESERVED.

LOC		DIST		REVISIONS			
P	LTR	DESCRIPTION	DATE	DWN	APVD		
AD	00						
SEE SHEET 1							



RA RIGHT ANGLE



VRA VERTICAL RIGHT ANGLE


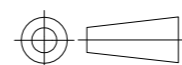
THIS DRAWING IS A CONTROLLED DOCUMENT.		DWN M.BINNER 01MAR05	TE TE Connectivity	
DIMENSIONS: INCHES		CHK M.ZITTO 01MAR05		
TOLERANCES UNLESS OTHERWISE SPECIFIED:		APVD M.ZITTO 01MAR05	NAME SEALED PUSHBUTTON SWITCH SINGLE POLE, TSP SERIES, ROHS COMPLIANT	
0 PLC ± - 1 PLC ± - 2 PLC ± - 3 PLC ± .010 4 PLC ± - ANGLES ± 1°		PRODUCT SPEC -	SIZE A2	
MATERIAL -		FINISH -	CAGE CODE 00779	DRAWING NO 1571990
		WEIGHT -	RESTRICTED TO -	
		CUSTOMER DRAWING	SCALE 4:1	SHEET 3 OF 4
			REV A2	

THIS DRAWING IS UNPUBLISHED. RELEASED FOR PUBLICATION
 © COPYRIGHT - By - ALL RIGHTS RESERVED.

LOC	DIST	REVISIONS					
		P	LTR	DESCRIPTION	DATE	DWN	APVD
AD	00	-	-	SEE SHEET 1	-	-	-

PRELIMINARY	TSPDF11FGVRA004	3-1571990-1
OBSOLETE	TSPDF11FGSRA004	3-1571990-0
	TSPDF11FGRA004	2-1571990-9
	TSPDF11FGPC004	2-1571990-8
	TSPDF11CGVRA004	2-1571990-7
OBSOLETE	TSPDF11CGSRA004	2-1571990-6
	TSPDF11CGRA004	2-1571990-5
OBSOLETE	TSPDF11CGSRAB0TR04	2-1571990-4
PRELIMINARY	TSPDF11CGSRA0TR04	2-1571990-3
	TSPDF11CGPC004	2-1571990-2
	TSPD11FGVRA004	2-1571990-1
OBSOLETE	TSPD11FGSRAB004	2-1571990-0
	TSPD11FGSRA004	1-1571990-9
	TSPD11FGSPC004	1-1571990-8
	TSPD11FGRA004	1-1571990-7
	TSPD11FGPCV004	1-1571990-6
	TSPD11FGPC004	1-1571990-5
	TSPD11CGWW004	1-1571990-4
	TSPD11CGVRA004	1-1571990-3
	TSPD11CGSRAB004	1-1571990-2
	TSPD11CGSRA204	1-1571990-1
	TSPD11CGSRA0TR04	1-1571990-0
	available	1571990-6
	TSPD11CGRA204	1571990-5
	TSPD11CGRA004	1571990-4
OBSOLETE	TSPD11CGPCV004	1571990-3
	TSPD11CGPC204	1571990-2
	TSPD11CGPC004	1571990-1
	Alco P/N	P/N

SUPERSEDED BY 1-1437573-9

THIS DRAWING IS A CONTROLLED DOCUMENT.		DWN M.BINNER 01MAR05	 TE Connectivity	
DIMENSIONS: INCHES		CHK M.ZITTO 01MAR05		
TOLERANCES UNLESS OTHERWISE SPECIFIED:		APVD M.ZITTO 01MAR05	NAME SEALED PUSHBUTTON SWITCH SINGLE POLE, TSP SERIES, ROHS COMPLIANT	
 0 PLC ± - 1 PLC ± - 2 PLC ± - 3 PLC ± .010 4 PLC ± - ANGLES ± 1°		PRODUCT SPEC -	SIZE A2	
MATERIAL -		APPLICATION SPEC -	CAGE CODE 00779	DRAWING NO 1571990
FINISH -		WEIGHT -	RESTRICTED TO -	SCALE 1:1
CUSTOMER DRAWING			SHEET 4 of 4	REV A2